

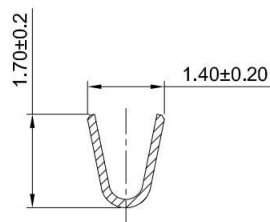
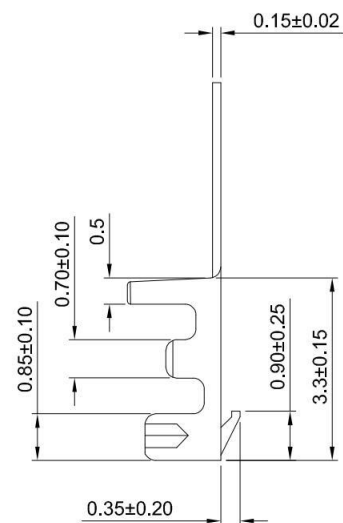
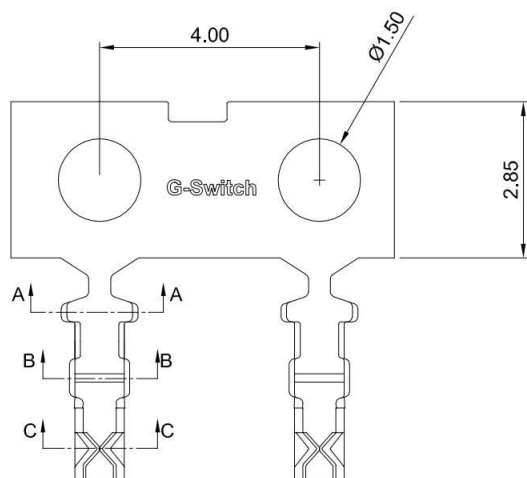
A

B

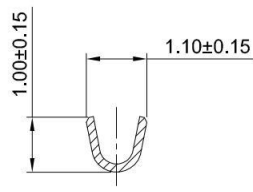
C

D

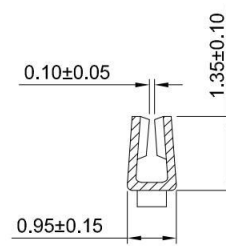
E



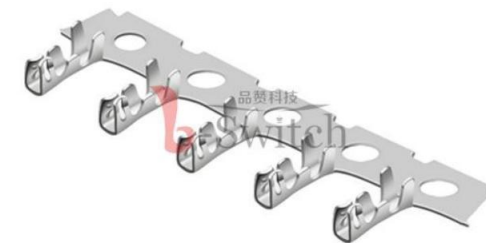
SECTION:A-A



SECTION:B-B



SECTION:C-C



GT-A1251 T F -X XX 1

G-Switch

Series No

Connector
T-TerminalTerminal Plating
BT-Bright Tin
11-All G/FMetal
P-Phosphor Bronze

F-Female

G-Switch Specification:

- 1.Current rated: 1.0A AC/DC
- 2.Voltage rating: 125V AC/DC
- 3.Withstanding voltage: 250V AC
- 4.Contact resistance: 20mΩ max.
- 5.Insulation resistance: 100MΩ min
- 6.Durability cycle: 50Cycles
- 7.Removal force: 0.50kgf/Pin min
- 8.Operating temperature range: -25°C ~ +85°C

GT-A1251TF-PBT1	Phosphor Bronze	Bright Tin	AWG#28~32	1.00mm(Max)	20000
GT-A1251TF-P111	Phosphor Bronze	All G/F	AWG#28~32	1.00mm(Max)	20000
Part NO	Material	Plating	Wire Size	Insulation O.D	Reel/PCS

SCALE: 1:1 UNIT: mm
SIZE: A4

Unless otherwise
General Tolerance:

X	±0.40
X.x	±0.30
X.xx	±0.20
X°	±5°
X.x°	±3°

Title: Terminal 1.25mm Pitch Crimp Style

Molde Code: GT-A1251TF-XXX1

DRAWN	CHECKED	APPROVED	DATE
Hu	Chen	Chen	2022.12.28

REV: A0

SHEET: 1/1

A

B

C

D

E