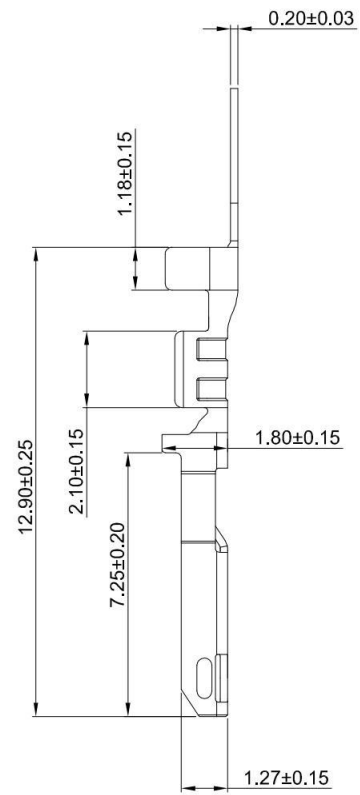
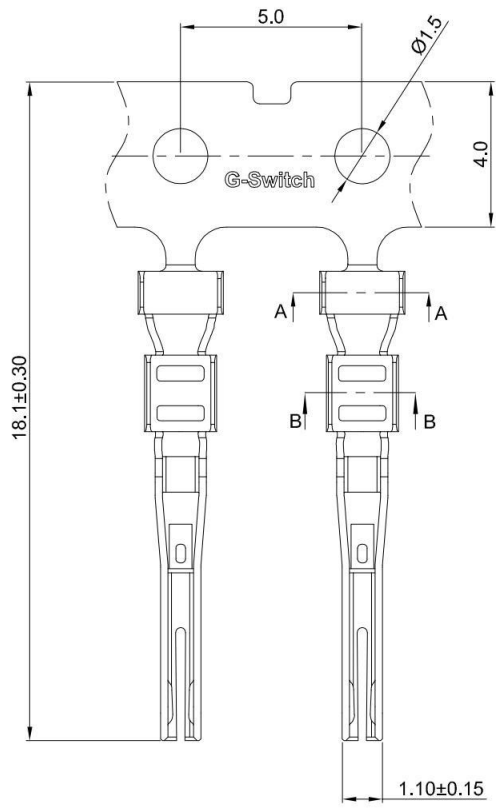


A B C D E



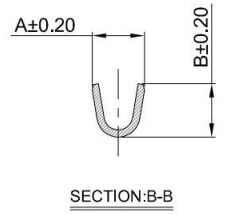
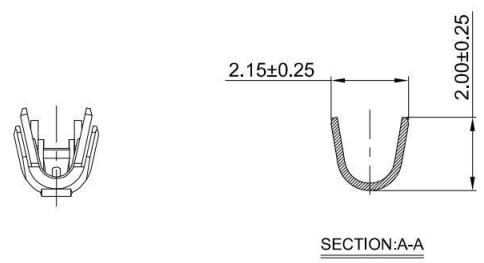
GT-A2513 T F -X XX X

G-Switch
Series No
Connector
F-Female

Type
 1-AWG#20~#22
 2-AWG#24~#26

Terminal Plating
 BT-Bright Tin

Metal
 H-High Conductivity Copper Alloy



- G-Switch Specification:**
- 1.Current rated: 5.0-6.5A AC/DC
 - 2.Voltage rating: 250V AC/DC
 - 3.Withstanding voltage: 1500V AC
 - 4.Contact resistance: 20mΩ max.
 - 5.Insulation resistance: 1000MΩ min
 - 6.Durability cycle: 25Cycles
 - 7.Removal force: 3.5kgf/Pin min
 - 8.Operating temperature range: -40°C ~ +105°C

GT-A2513TF-HBT2	High Conductivity Copper Alloy	Bright Tin	AWG#24~#26	1.40	1.45	1.60mm(Max)	12000
GT-A2513TF-HBT1	High Conductivity Copper Alloy	Bright Tin	AWG#20~#22	1.50	2.15	1.60mm(Max)	12000
Part NO	Material	Plating	Wire Size	Dim A	Dim B	Insulation O.D	Reel/PCS



SCALE: 1:1	UNIT: mm
SIZE: A4	
Unless otherwise General Tolerance:	
X	±0.40
X.x	±0.30
X.xx	±0.20
X°	±5°
X.x°	±3°

Title: Terminal 2.50mm Pitch Crimp Style Female			
Molde Code: GT-A2513TF-XXXX			
DRAWN	CHECKED	APPROVED	DATE
Hu	Chen	Chen	2021.10.20



REV: A0	SHEET: 1/1
---------	------------

A B C D E