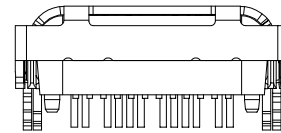
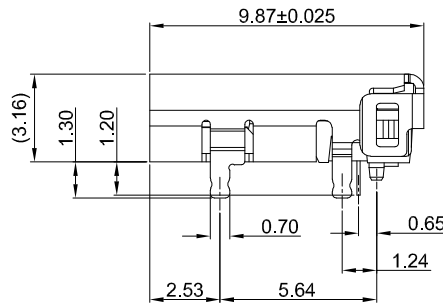
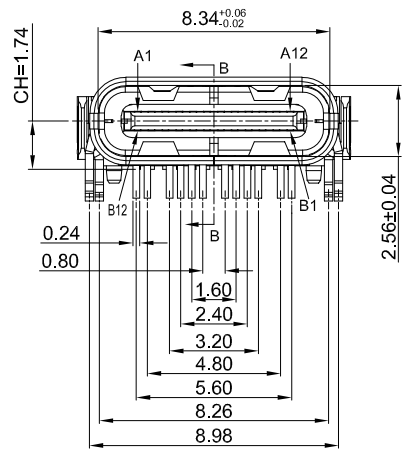


G-Switch USB-C Specification:

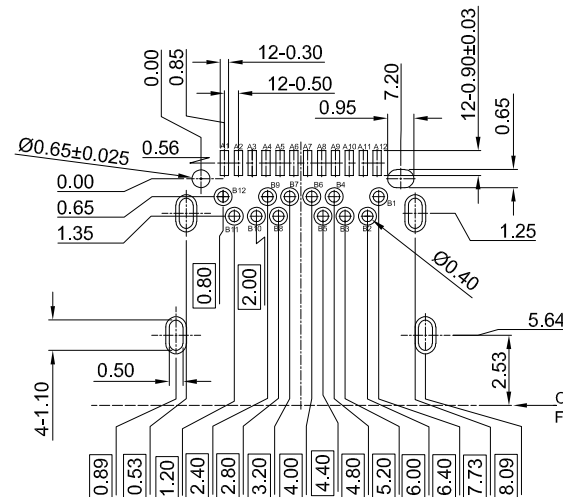
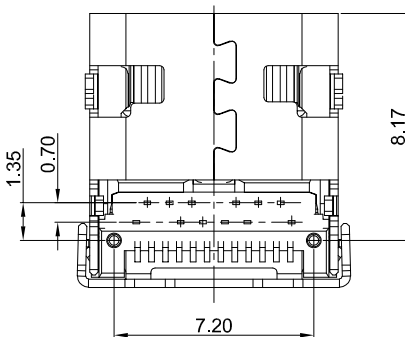
- 1.Current rated: 5A on vbus/1.25A on vconn/0.25A on other
- 2.Withstanding voltage: 100V AC/minute
- 3.Contact resistance: 40mΩ Max
- 4.Insulation resistance: 100MΩ Min
- 5.Operating temperature: -40°C ~ +85°C
- 6.Mating force: 5N~20N
- 7.Unmating force: 8N~20N
- 8.Durability cycle:10,000 cycles
- 9.Compliant with:IEC62680-1-3

A1	A2	A3	A4	A5	A6	A7	A8	A9	A10	A11	A12
GND	TX1+	TX1-	VBUS	CC1	D+	D-	SBU1	VBUS	RX2-	RX2+	GND
First	Second	Second	First	Second	Second	Second	Second	First	Second	Second	First

B12	B11	B10	B9	B8	B7	B6	B5	B4	B3	B2	B1
GND	RX1+	RX1-	VBUS	SBU2	D-	D+	CC2	VBUS	TX2-	TX2+	GND
First	Second	Second	First	Second	Second	Second	Second	First	Second	Second	First



GT-USB-9003A	LCP
GT-USB-9003A03	PA



CONNECTOR FRONT EDGE

1	SHELL	STAINLESS STEEL	Ni40u"Min PLATED
2	GND PLATE	STAINLESS STEEL	CLEAN
3	MID PLATE	STAINLESS STEEL	Ni40u"Min PLATED
4	HOUSING	HIGH TEMPERATURE PLASTIC	BLACK OR NATURAL UL 94V-0
5	TERMINALS	COPPER ALLOY	Au1u" PLATING ON CONTACT AREA
NO.	PARTS	MATERIAL	REMARKS

RECOMMENDED PCB LAYOUT TOLERANCE:±0.05

SCALE: 1:1	UNIT: mm	Title: Horizontal Type-c 24P Female SMT+DIP CH=1.74 L=9.87mm	
SIZE: A4		Molde Code: GT-USB-9003	
Unless otherwise General Tolerance:		DRAWN	CHECKED
X..x	±0.30	APPROVED	DATE
X.xx	±0.20	Xia	Chen
X.xxx	±0.10	Chen	2023.02.01
X*	±10°		
X.x°	±8°		



REV: A0 SHEET: 1/1