

GT-A2508 H M -2 XX X 01

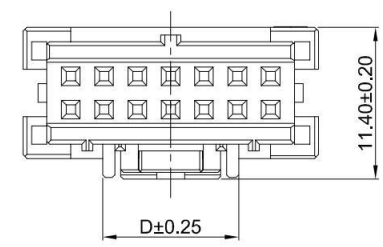
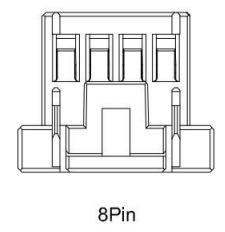
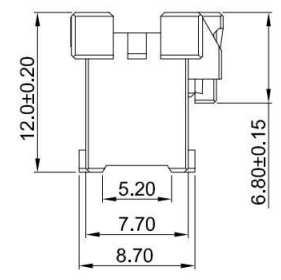
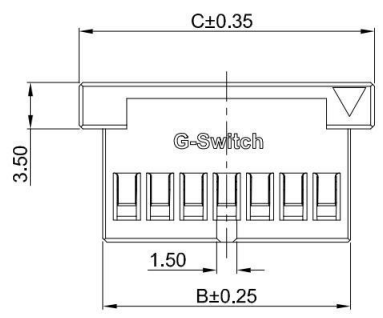
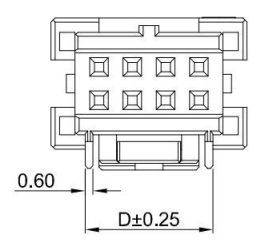
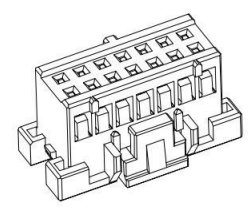
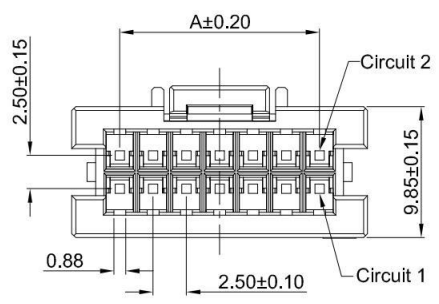
**G-Switch**  
**Series No**  
**Connector**  
 H-Housing  
**M-Male**

**Housing Colour**  
 W-White  
**Pin Q' PY**  
 08~40  
**Row NO**  
 2-Dual Rows

- G-Switch Specification:**
1. Current rated: 3.0A AC/DC
  2. Voltage rating: 250V AC/DC
  3. Withstanding voltage: 1000V AC
  4. Contact resistance: 10mΩ max.
  5. Insulation resistance: 1000MΩ min
  6. Durability cycle: 50Cycles
  7. Removal force: 2.0kgf/Pin min
  8. Operating temperature range: -25°C ~ +85°C

**Ordering Information:**

Circuit	Dimensions(mm)				Circuit	Dimensions(mm)			
	A	B	C	D		A	B	C	D
08	7.50	11.10	14.70	9.60	24	27.50	31.10	34.70	17.70
10	10.00	13.60	17.20	9.60	26	30.00	33.60	37.20	17.70
12	12.50	16.10	19.70	10.20	28	32.50	36.10	39.70	17.70
14	15.00	18.60	22.20	10.20	30	35.00	38.60	42.20	17.70
16	17.50	21.10	24.70	10.20	32	37.50	41.10	44.70	17.70
18	20.00	23.60	27.20	17.70	34	40.00	43.60	47.20	17.70
20	22.50	26.10	29.70	17.70	36	42.50	46.10	49.70	17.70
22	25.00	28.60	32.20	17.70	40	47.50	51.10	54.70	17.70



SCALE: 1:1 UNIT: mm  
 SIZE: A4

Unless otherwise General Tolerance:  
 X ±0.40  
 X.x ±0.30  
 X.xx ±0.20  
 X° ±5°  
 X.x° ±3°

Title: Housing 2.50mm Pitch XAD Dual Rows Male  
 Molde Code: GT-A2508HM-2XXX01

DRAWN	CHECKED	APPROVED	DATE
Hu	Hu	Chen	2021.10.20



1	HOUSING	PA66,94V-0	WHITE
NO.	PART NAME	MATERIAL	REMARK



REV: A0 SHEET: 1/1