

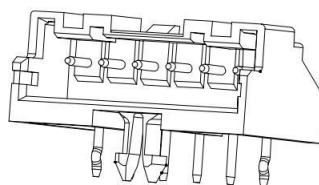
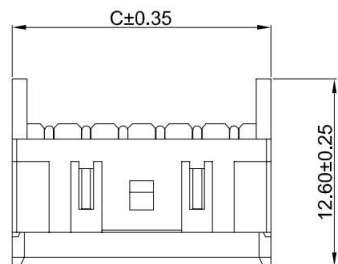
A

B

C

D

E

**G-Switch Specification:**

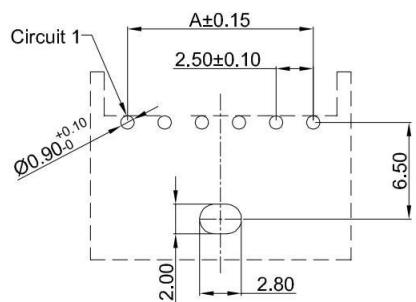
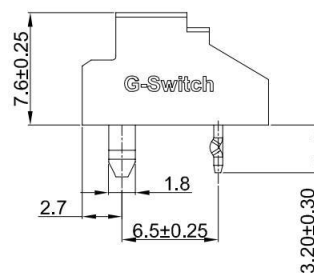
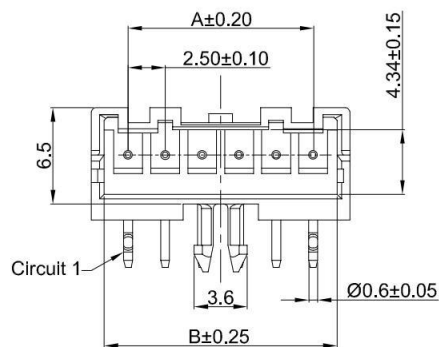
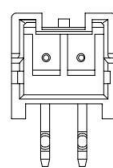
- 1.Current rated: 3.0A AC/DC
- 2.Voltage rating: 250V AC/DC
- 3.Withstanding voltage: 1000V AC
- 4.Contact resistance: 10mΩ max.
- 5.Insulation resistance: 1000MΩ min
- 6.Durability cycle: 50Cycles
- 7.Removal force: 2.0kgf/Pin min
- 8.Operating temperature range: -25°C ~ +85°C



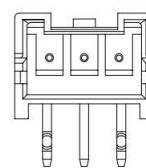
GT-A2508 W R D 1-1 XX X XX 01

G-Switch

Series No

Connector
W-WaferAngle
R-90°Termipoint
D-DIPTerminal Plating
BT-Bright TinHousing Colour
S-NaturePin Q' PY
02-15Row NO
1-Single RowRECOMMENDED PCB LAYOUT
TOLERANCE:±0.05

2Pin



3Pin

Ordering Information:

Circuit	Dimensions(mm)			Circuit	Dimensions(mm)		
	A	B	C		A	B	C
02	---	5.80	7.50	09	20.00	23.30	25.00
03	5.00	8.30	10.00	10	22.50	25.80	27.50
04	7.50	10.80	12.50	11	25.00	28.30	30.00
05	10.00	13.30	15.00	12	27.50	30.80	32.50
06	12.50	15.80	17.50	13	30.00	33.30	35.00
07	15.00	18.30	20.00	14	32.50	35.80	37.50
08	17.50	20.80	22.50	15	35.00	38.30	40.00

SCALE: 1:1 UNIT: mm

SIZE: A4

Unless otherwise
General Tolerance:

X ±0.40
X.x ±0.30
X.xx ±0.20
X° ±5°
X.x° ±3°

Title: Wafer 2.50mm Pitch XA 90° DIP With Lock
With Plastic Posts Type Single Row Connector

Molde Code: GT-A2508WRD1-1XXXXX01

DRAWN	CHECKED	APPROVED	DATE
Hu	Hu	Chen	2022.12.28

REV: A0

SHEET: 1/1

2	PIN MATERIAL	BRASS	BRIGHT Tin
1	HOUSING	PA66,94V-0	NATURE
NO.	PART NAME	MATERIAL	REMARK



A

B

C

D

E