

G-Switch Specification:

1. Current rated: 1.0A AC/DC
2. Voltage rating: 125V AC/DC
3. Withstanding voltage: 500V AC
4. Contact resistance: 50mΩ max.
5. Insulation resistance: 100MΩ min
6. Durability cycle: 20Cycles
7. Removal force: 0.05kgf/Pin min
8. Operating temperature range: -25°C ~ +85°C



GT-F1251 S V 55 -XX X XX 01

G-Switch

Series No

Termpoint
S-SMT

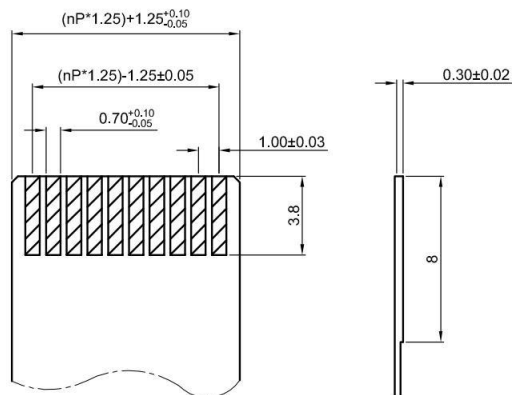
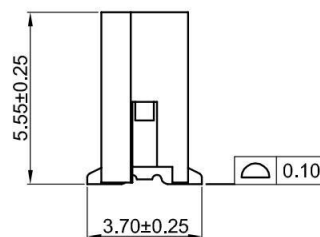
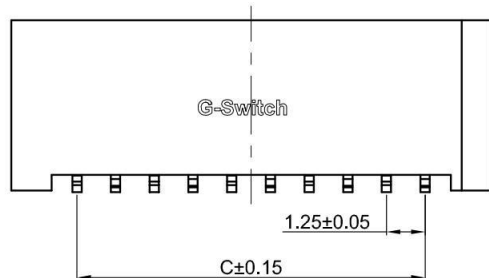
Angle
V-180°

Terminal Plating
BT-Bright Tin

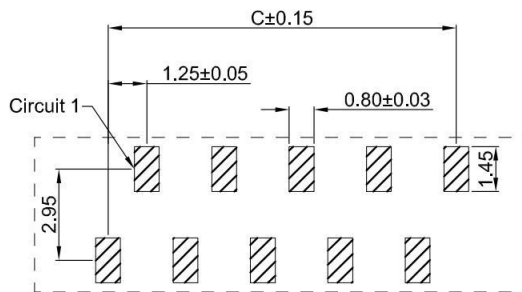
Housing Colour
B-Black

Pin Q' PY
04~20

Height
55-5.55mm



PROPER CABLE



RECOMMENDED PCB LAYOUT
TOLERANCE:±0.05

Ordering Information:

Circuit	Dimensions(mm)			Circuit	Dimensions(mm)		
	A	B	C		A	B	C
04	8.00	6.40	3.75	18	25.50	23.90	21.25
05	9.25	7.65	5.00	19	26.75	25.15	22.50
06	10.50	8.90	6.25	20	28.00	26.40	23.75
07	11.75	10.15	7.50	21	29.25	27.65	25.00
08	13.00	11.40	8.75	22	30.50	28.90	26.25
09	14.25	12.65	10.00	23	31.75	30.15	27.50
10	15.50	13.90	11.25	24	33.00	31.40	28.75
11	16.75	15.15	12.50	25	34.25	32.65	30.00
12	18.00	16.40	13.75	26	35.50	33.90	31.25
13	19.25	17.65	15.00	27	36.75	35.15	32.50
14	20.50	18.90	16.25	28	38.00	36.40	33.75
15	21.75	20.15	17.50	29	39.25	37.65	35.00
16	23.00	21.40	18.75	30	40.50	38.90	36.25
17	24.25	22.65	20.00	---	---	---	---

2	CONTACT	PHOSPHOR BRONZE	BRIGHT Tin
1	HOUSING	PA6T,94V-0	BLACK
NO.	PART NAME	MATERIAL	REMARK



SCALE: 1:1 UNIT: mm
SIZE: A4

Unless otherwise
General Tolerance:
X ±0.40
X.x ±0.30
X.xx ±0.20
X° ±5°
X.x° ±3°

Title: FPC 1.25mm Pitch 180° SMT Single Row
Double Sided Welding

Molde Code: GT-F1251SV55-XXXXX01

DRAWN	CHECKED	APPROVED	DATE
Jiang	Hu	Chen	2022.11.18



REV: A0 SHEET: 1/1