

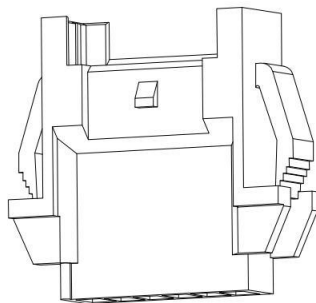
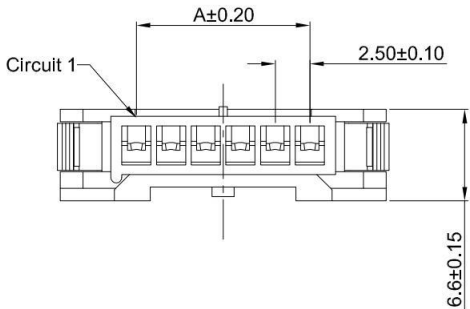
A

B

C

D

E



GT-A2508 H F 1 -1 XX X 01

G-Switch

Series No

Connector
H-Housing

F-Female

Housing Colour
W-White

Pin Q' PY
02-15

Row NO
1-Single Row

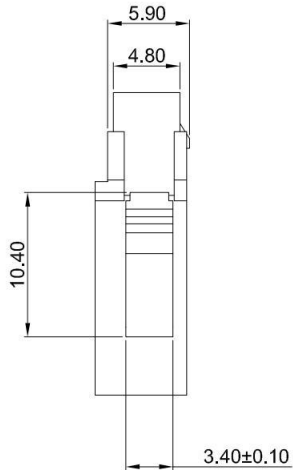
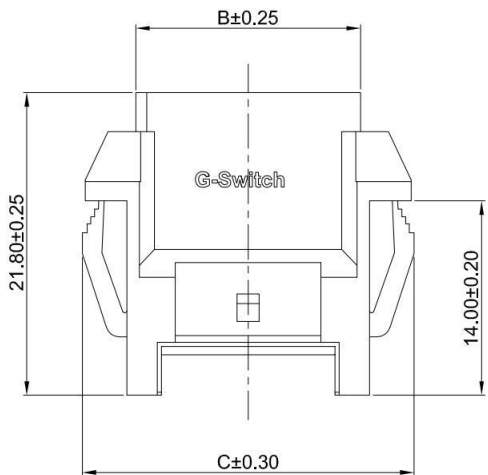
Type
1-Type 1

G-Switch Specification:

- 1.Current rated: 3.0A AC/DC
- 2.Voltage rating: 250V AC/DC
- 3.Withstanding voltage: 1000V AC
- 4.Contact resistance: 10mΩ max.
- 5.Insulation resistance: 1000MΩ min
- 6.Durability cycle: 50Cycles
- 7.Removal force: 2.0kgf/Pin min
- 8.Operating temperature range: -25°C ~ +85°C

Ordering Information:

Circuit	Dimensions(mm)			Circuit	Dimensions(mm)		
	A	B	C		A	B	C
02	2.50	6.20	13.90	09	20.00	23.70	31.40
03	5.00	8.70	16.40	10	22.50	26.20	33.90
04	7.50	11.20	18.90	11	25.00	28.70	36.40
05	10.00	13.70	21.40	12	27.50	31.20	38.90
06	12.50	16.20	23.90	13	30.00	33.70	41.40
07	15.00	18.70	26.40	14	32.50	36.20	43.90
08	17.50	21.20	28.90	15	35.00	38.70	46.40



SCALE: 1:1 UNIT: mm
SIZE: A4

Title: Housing 2.50mm Pitch XA Single Row With Lock Female

Unless otherwise
General Tolerance:

X	±0.40
X.x	±0.30
X.xx	±0.20
X°	±5°
X.x°	±3°

Molde Code: GT-A2508HF1-1XXX01

DRAWN	CHECKED	APPROVED	DATE
Hu	Hu	Chen	2021.10.20



REV: A0 SHEET: 1/1

NO.	PART NAME	MATERIAL	REMARK
1	HOUSING	PA66,94V-0	WHITE



A

B

C

D

E