

A

B

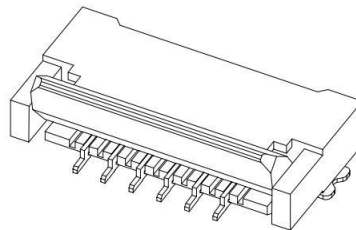
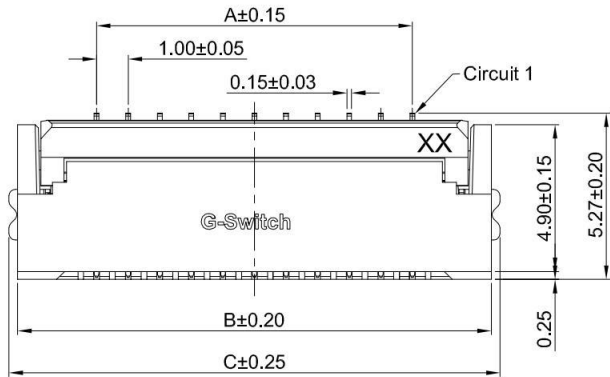
C

D

E

1

1



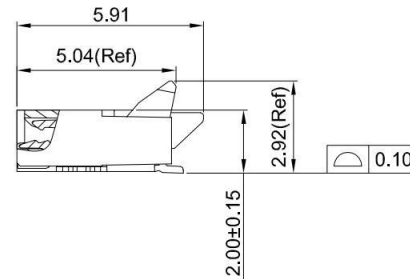
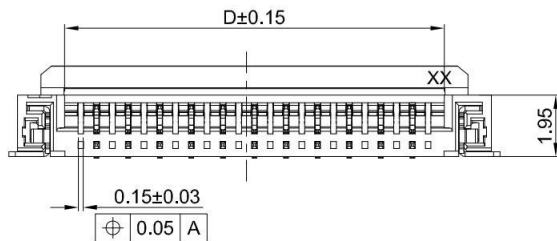
**G-Switch Specification:**

- 1.Current rated: 0.5A AC/DC
- 2.Voltage rating: 50V AC/DC
- 3.Withstanding voltage: 250V AC
- 4.Contact resistance: 50mΩ max.
- 5.Insulation resistance: 100MΩ min
- 6.Durability cycle: 30Cycles
- 7.Removal force: 0.02kgf/Pin min
- 8.Operating temperature range: -25°C ~ +85°C



2

2



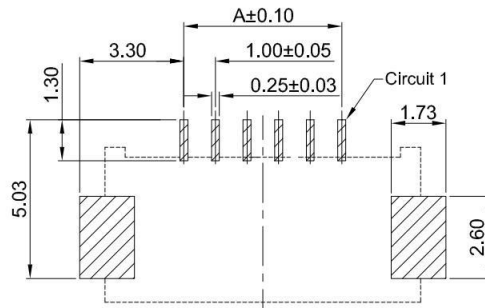
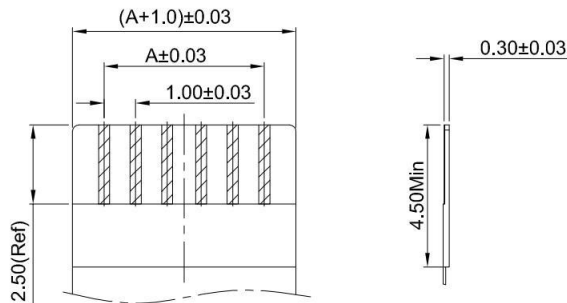
GT-F1004 S R20 -XX X XX 01

**G-Switch**  
**Series No**  
**Termipoint**  
S-SMT  
**Angle**  
R-90°

**Terminal Plating**  
11-ALL G/F  
**Housing Colour**  
S-Nature  
**Pin Q' PY**  
04~30  
**Height**  
20-2.0mm

3

3



RECOMMENDED PCB LAYOUT  
TOLERANCE:±0.05

APPLICABLE FPC

**Ordering Information:**

Circuit	Dimensions(mm)				Circuit	Dimensions(mm)			
	A	B	C	D		A	B	C	D
4	3.00	8.00	8.55	5.05	18	17.00	22.00	22.55	19.05
5	4.00	9.00	9.55	6.05	19	18.00	23.00	23.55	20.05
6	5.00	10.00	10.55	7.05	20	19.00	24.00	24.55	21.05
7	6.00	11.00	11.55	8.05	21	20.00	25.00	25.55	22.05
8	7.00	12.00	12.55	9.05	22	21.00	26.00	26.55	23.05
9	8.00	13.00	13.55	10.05	23	22.00	27.00	27.55	24.05
10	9.00	14.00	14.55	11.05	24	23.00	28.00	28.55	25.05
11	10.00	15.00	15.55	12.05	25	24.00	29.00	29.55	26.05
12	11.00	16.00	16.55	13.05	26	25.00	30.00	30.55	27.05
13	12.00	17.00	17.55	14.05	27	26.00	31.00	31.55	28.05
14	13.00	18.00	18.55	15.05	28	27.00	32.00	32.55	29.05
15	14.00	19.00	19.55	16.05	29	28.00	33.00	33.55	30.05
16	15.00	20.00	20.55	17.05	30	29.00	34.00	34.55	31.05

5

5

4	SOLDER TABS	BRASS	MATTE Tin
3	CONTACT	PHOSPHOR BRONZE	All G/F
2	COVER	PA9T,94V-0	BLACK
1	HOUSING	LCP,94V-0	NATURE
NO.	PART NAME	MATERIAL	REMARK

SCALE: 1:1 UNIT: mm  
 SIZE: A4

Unless otherwise  
 General Tolerance:  
 X ±0.40  
 X.x ±0.30  
 X.xx ±0.20  
 X° ±5°  
 X.x° ±3°

Title: FPC 1.00mm Pitch 90° H2.0mm SMT Type  
 Back Flip Connector

Molde Code: GT-F1004SR20-XXXXX01

DRAWN	CHECKED	APPROVED	DATE
Jiang	Hu	Chen	2022.11.18



REV: A0 SHEET: 1/1

A

B

C

D

E