

A

B

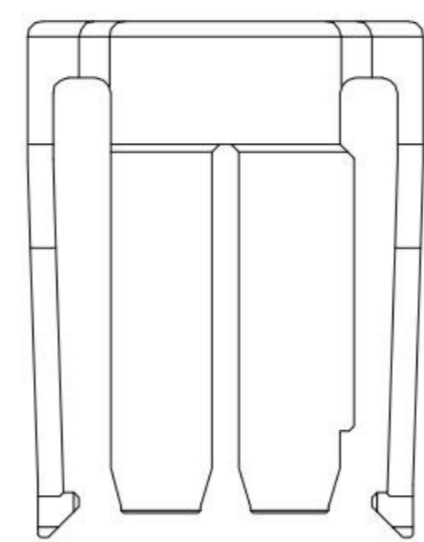
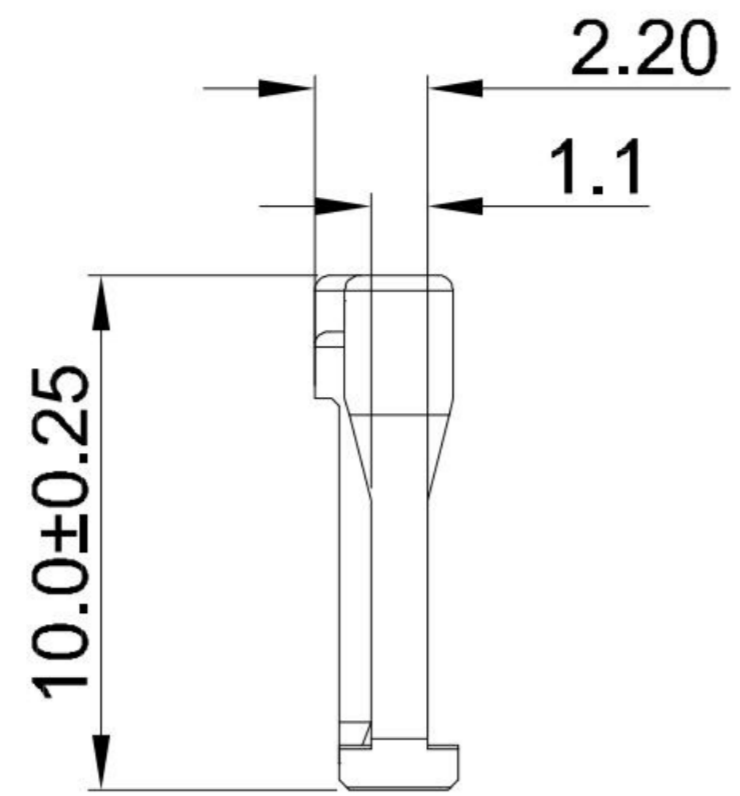
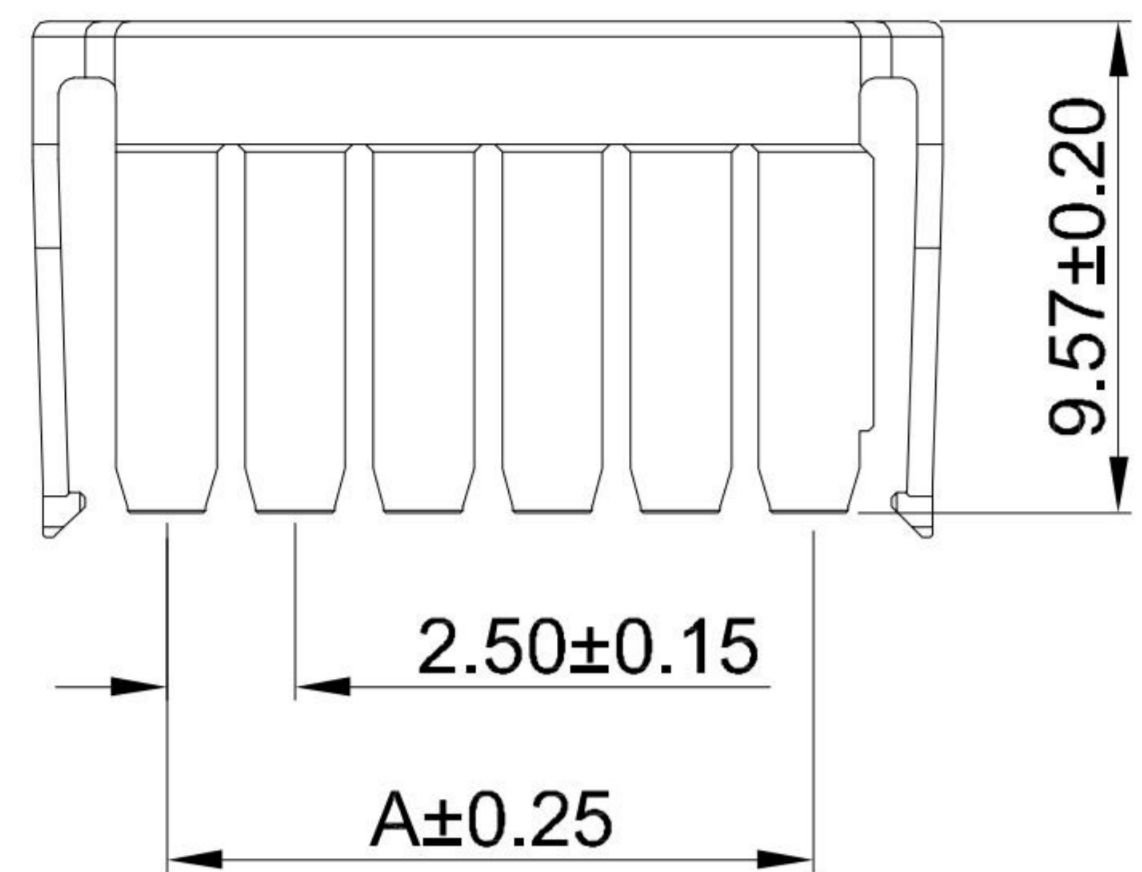
C

D

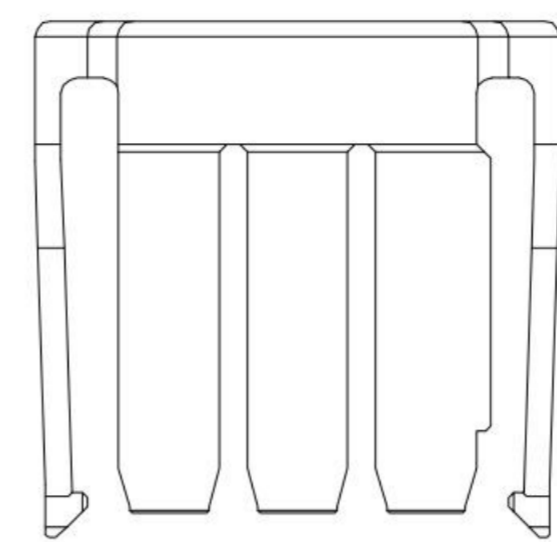
E

1

1



02Pin



03Pin



2

2

### GT-A2513 C M -1 XX X 01

G-Switch

Series No

Connector  
C-Cover

M-Male

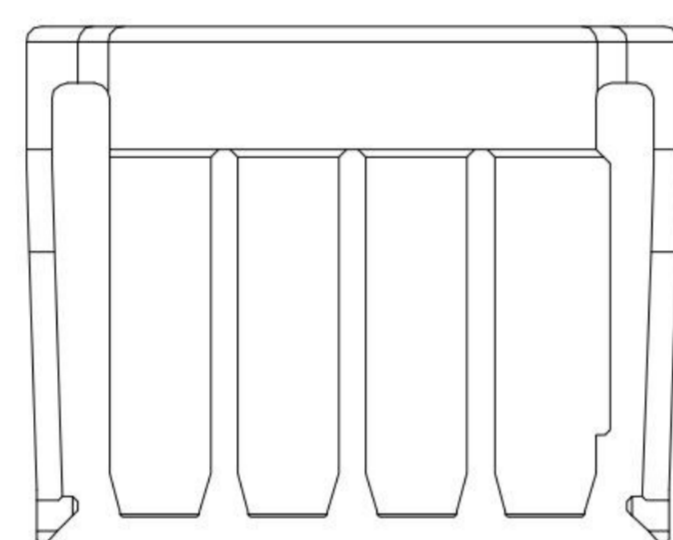
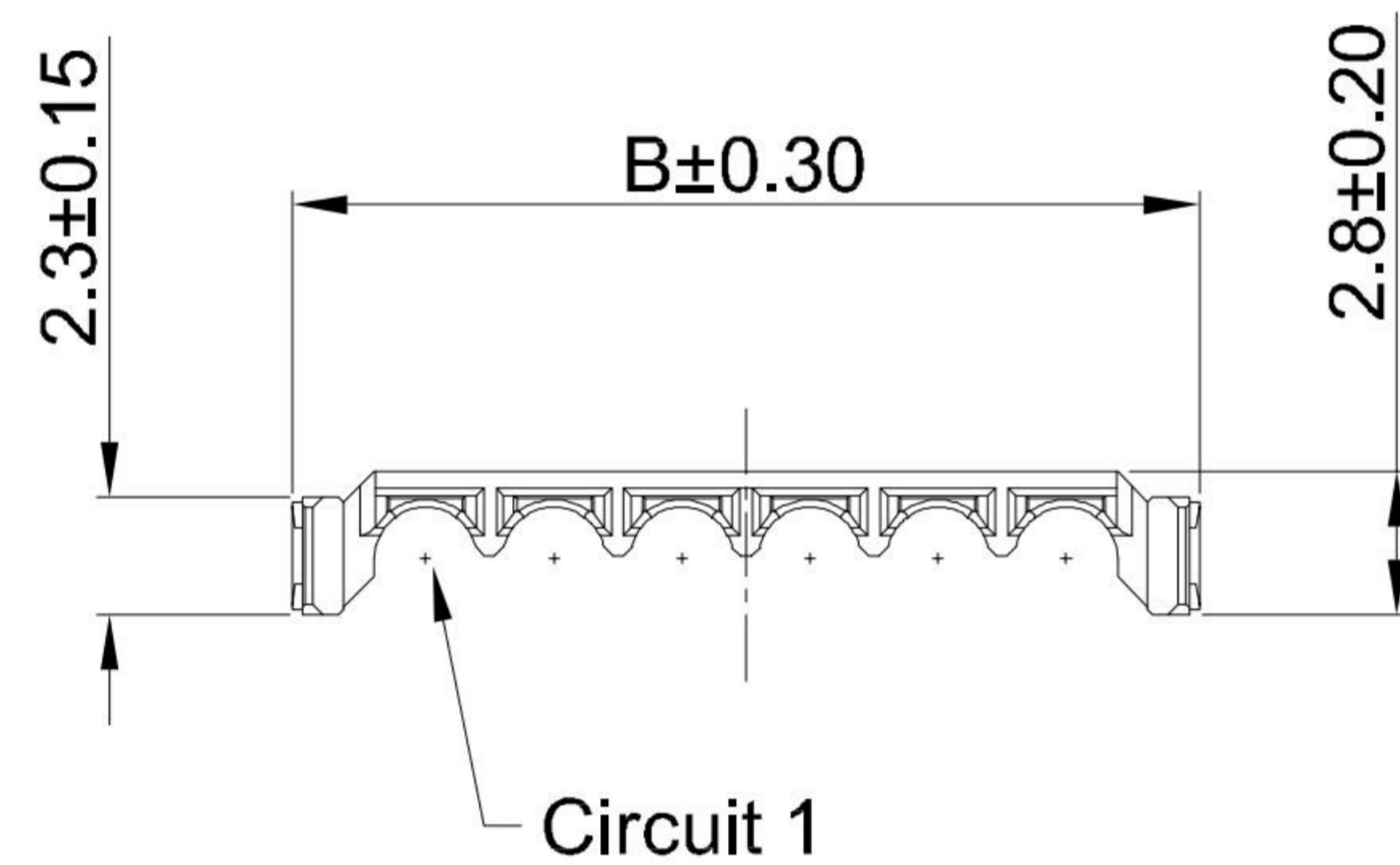
Housing Colour  
S-Nature  
B-Black

Pin Q' PY  
02-08

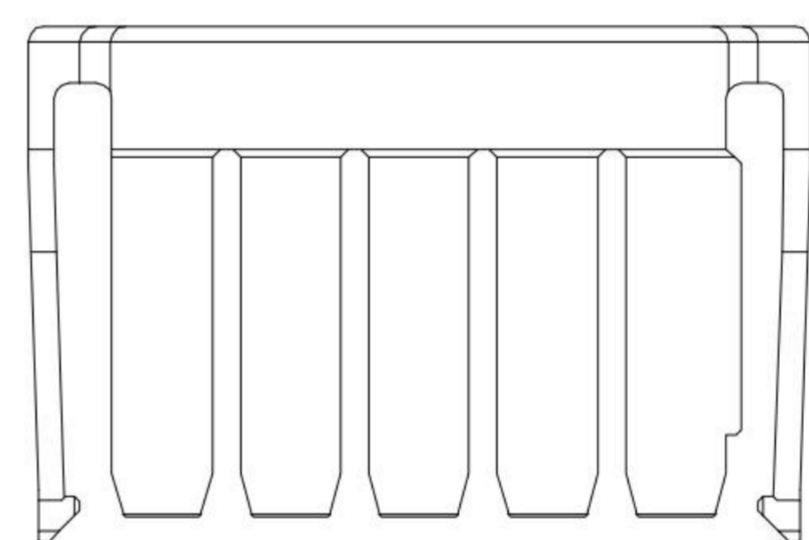
Row NO  
1-Single Row

3

3



04Pin



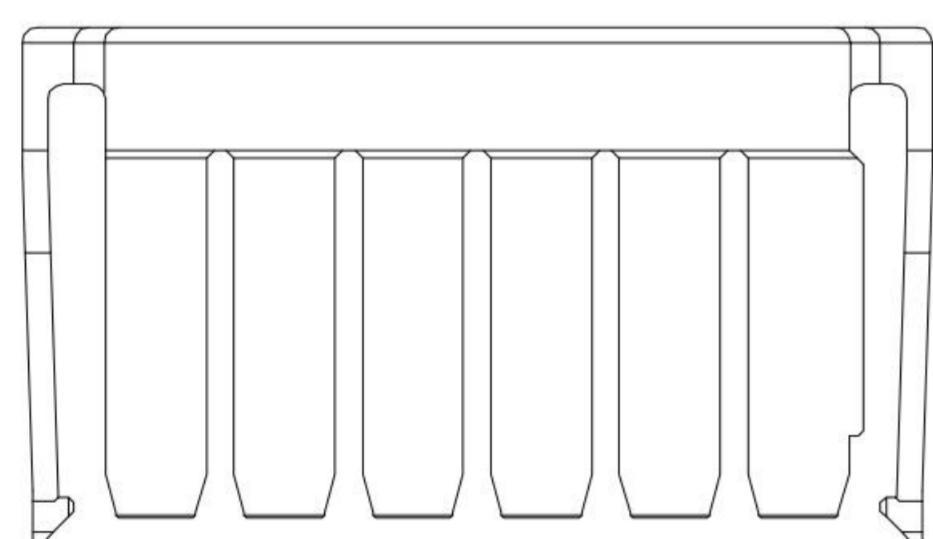
05Pin

#### G-Switch Specification:

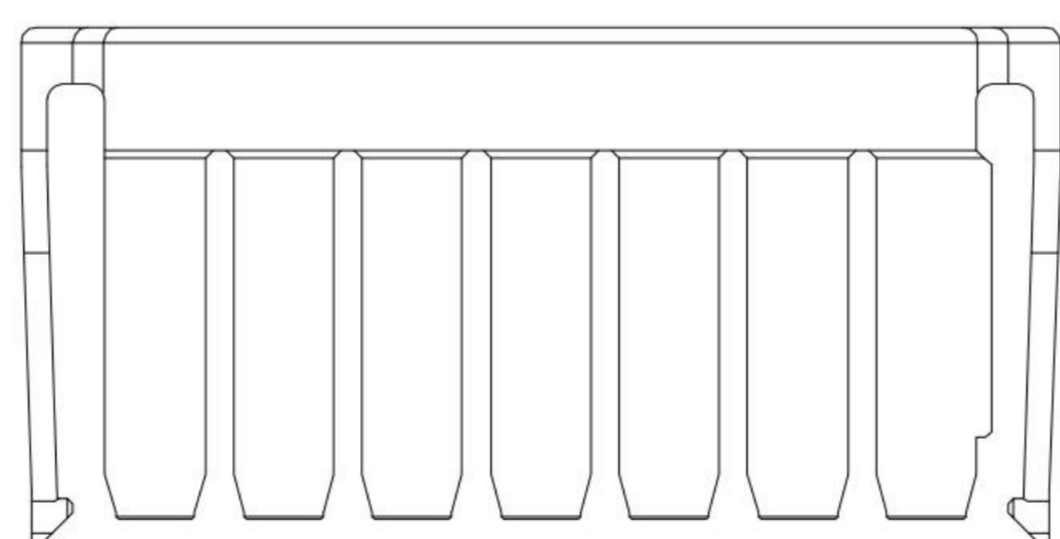
- 1.Current rated: 5.0-6.5A AC/DC
- 2.Voltage rating: 250V AC/DC
- 3.Withstanding voltage: 1500V AC
- 4.Contact resistance: 20mΩ max.
- 5.Insulation resistance: 1000MΩ min
- 6.Durability cycle: 25Cycles
- 7.Removal force: 3.5kgf/Pin min
- 8.Operating temperature range: -40°C ~ +105°C

4

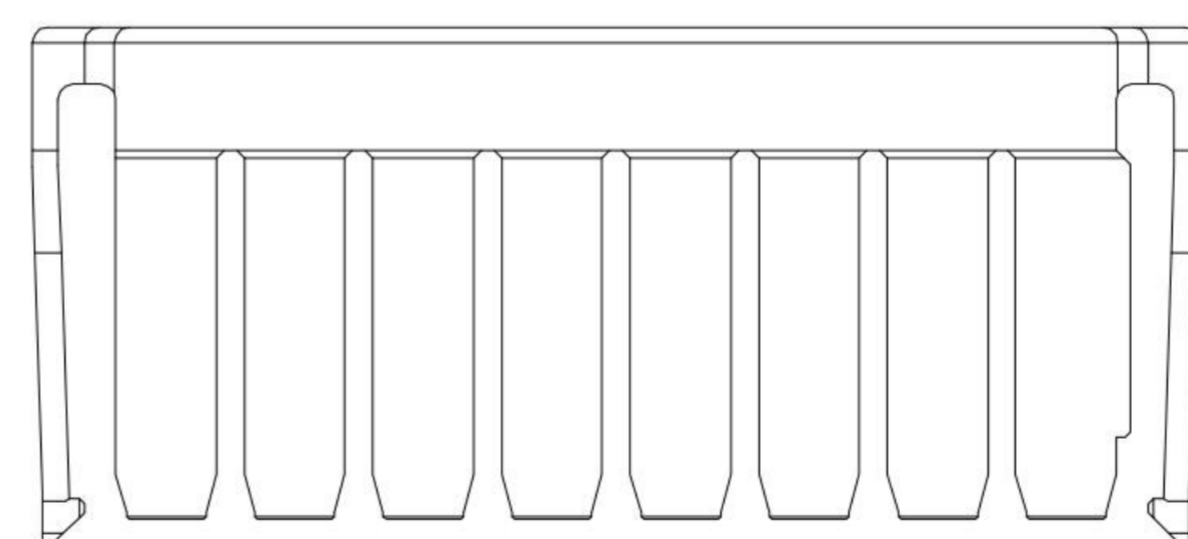
4



06Pin



07Pin



08Pin

#### Ordering Information:

Circuit	Dimensions(mm)		Circuit	Dimensions(mm)	
	A	B		A	B
02	---	7.70	06	12.50	17.70
03	5.00	10.20	07	15.00	20.20
04	7.50	12.70	08	17.50	22.70
05	10.00	15.20	---	---	---

5

5

SCALE: 1:1 UNIT: mm  
SIZE: A4

Title: Cover 2.50mm Pitch MX Single Row Male

Unless otherwise  
General Tolerance:

X	±0.40
X.x	±0.30
X.xx	±0.20
X°	±5°
X.x°	±3°

Molde Code: GT-A2513CM-1XXX01

DRAWN	CHECKED	APPROVED	DATE
Hu	Hu	Chen	2021.10.20



REV: A0 SHEET: 1/1

NO.	PART NAME	MATERIAL	REMARK
1	HOUSING	PA6T,94V-0	BLACK/NATURE



A

B

C

D

E