

A

B

C

D

E

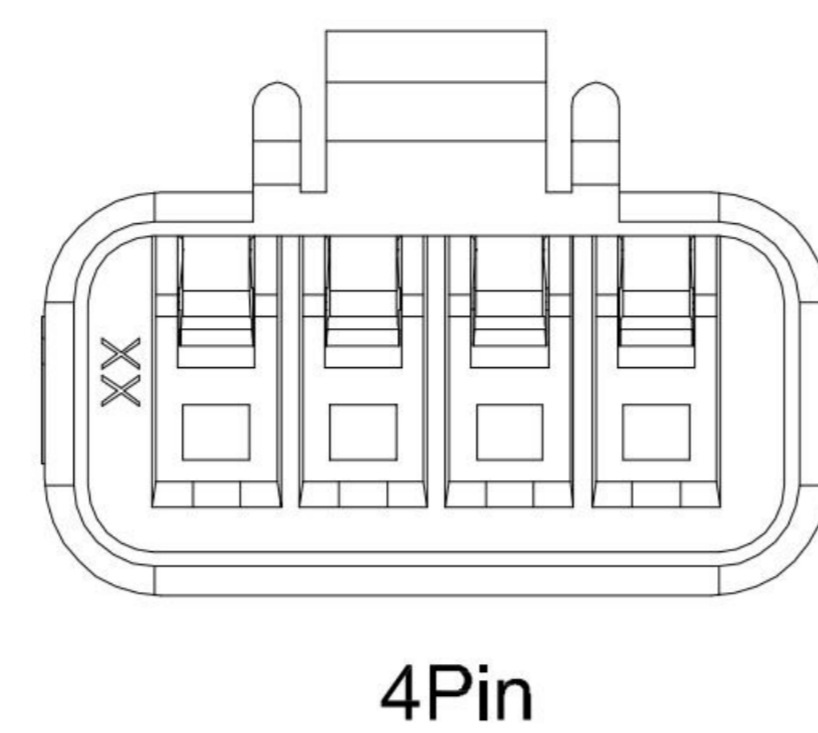
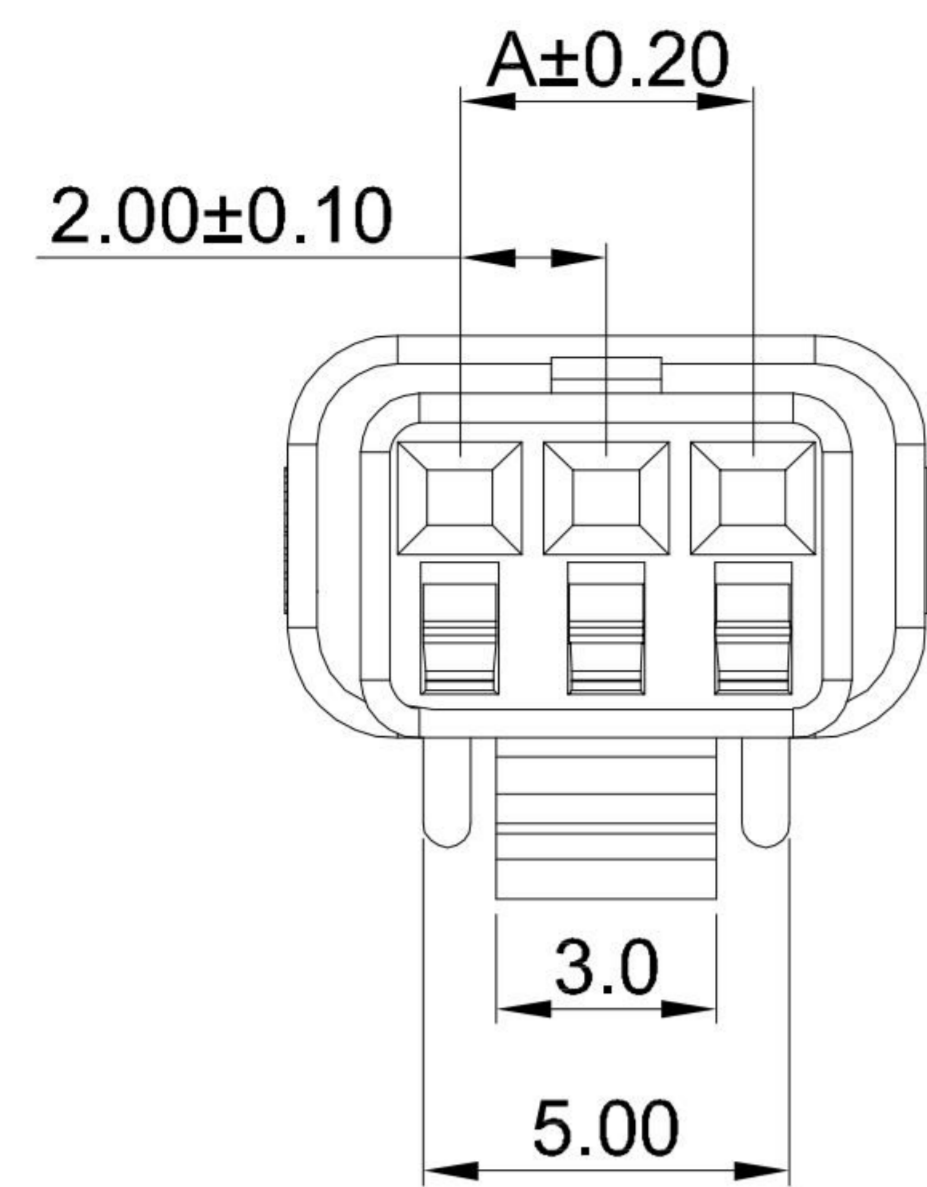
1

2

3

4

5



4Pin



GT-C2001 H M -1 XX X 01

G-Switch

Series No

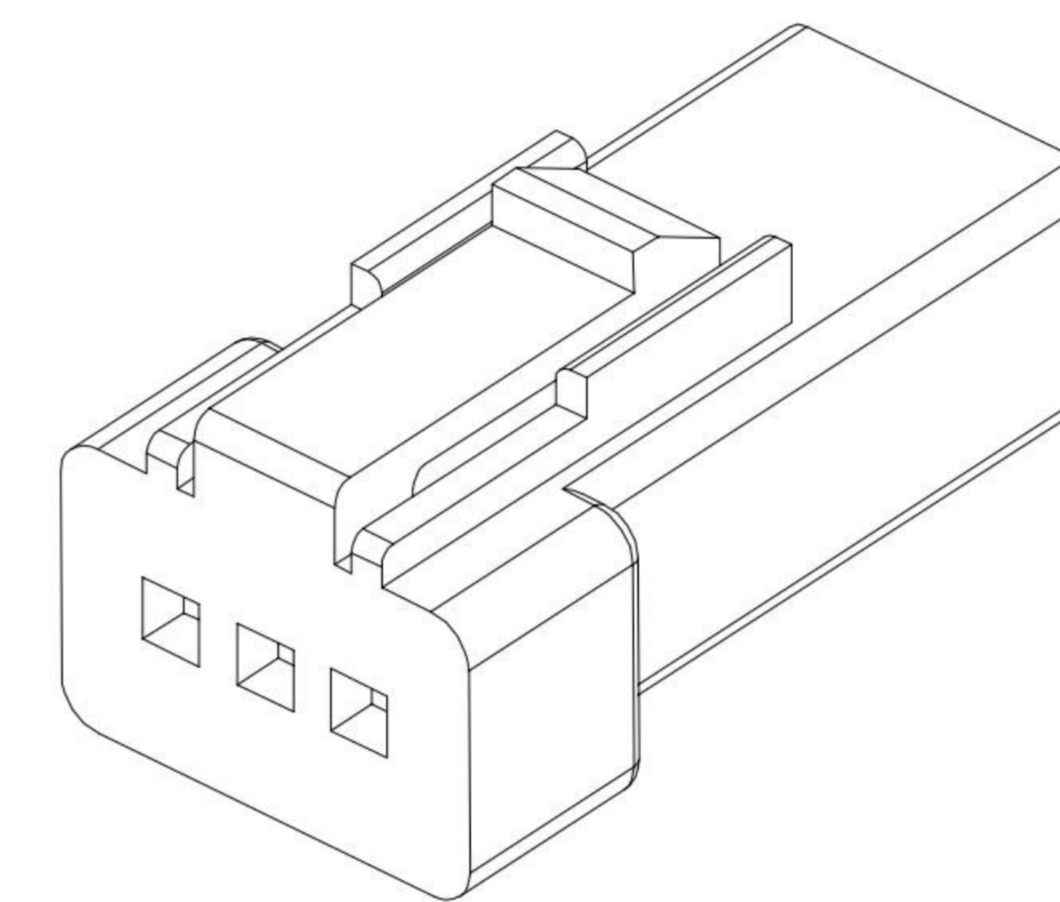
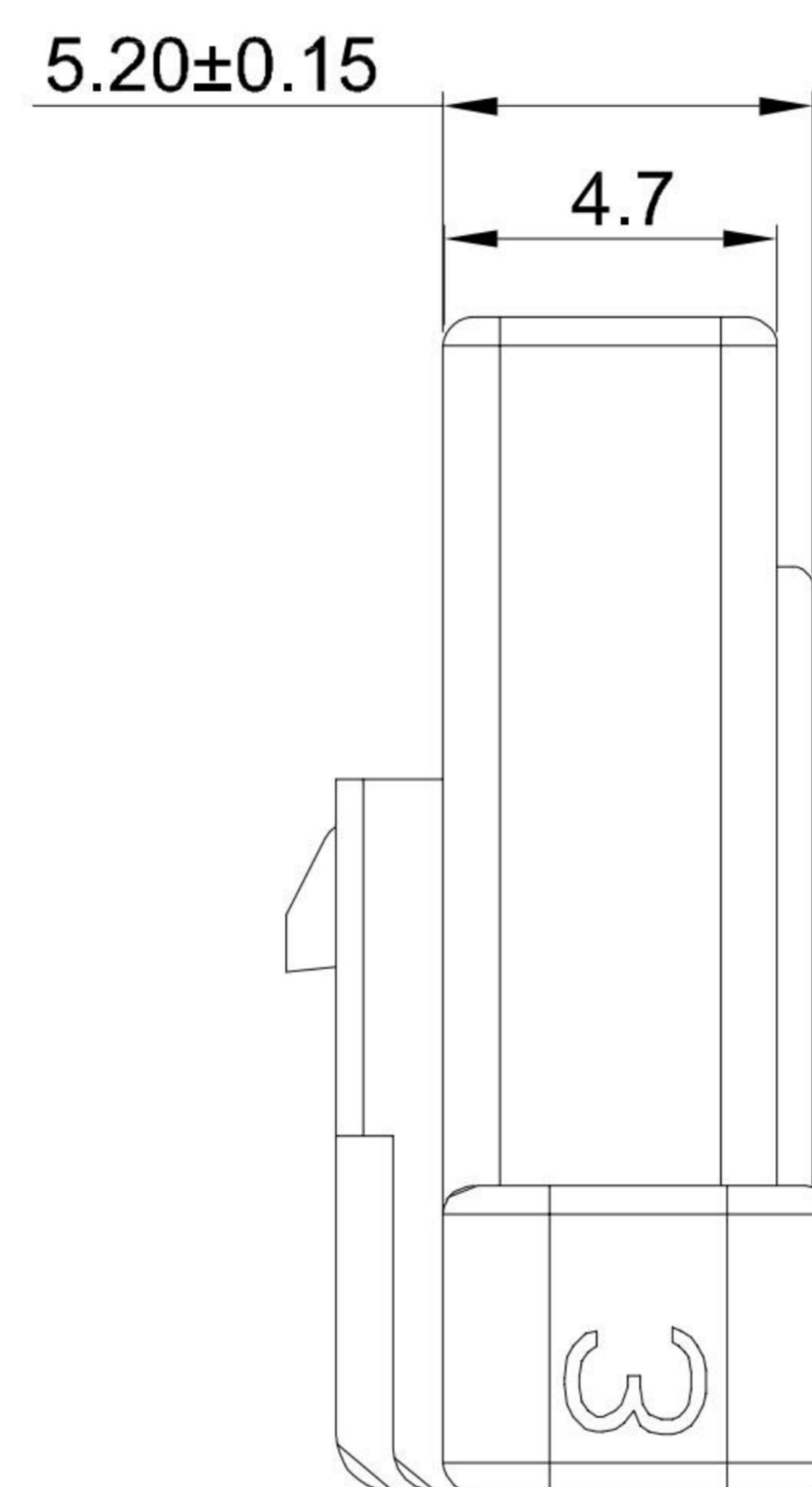
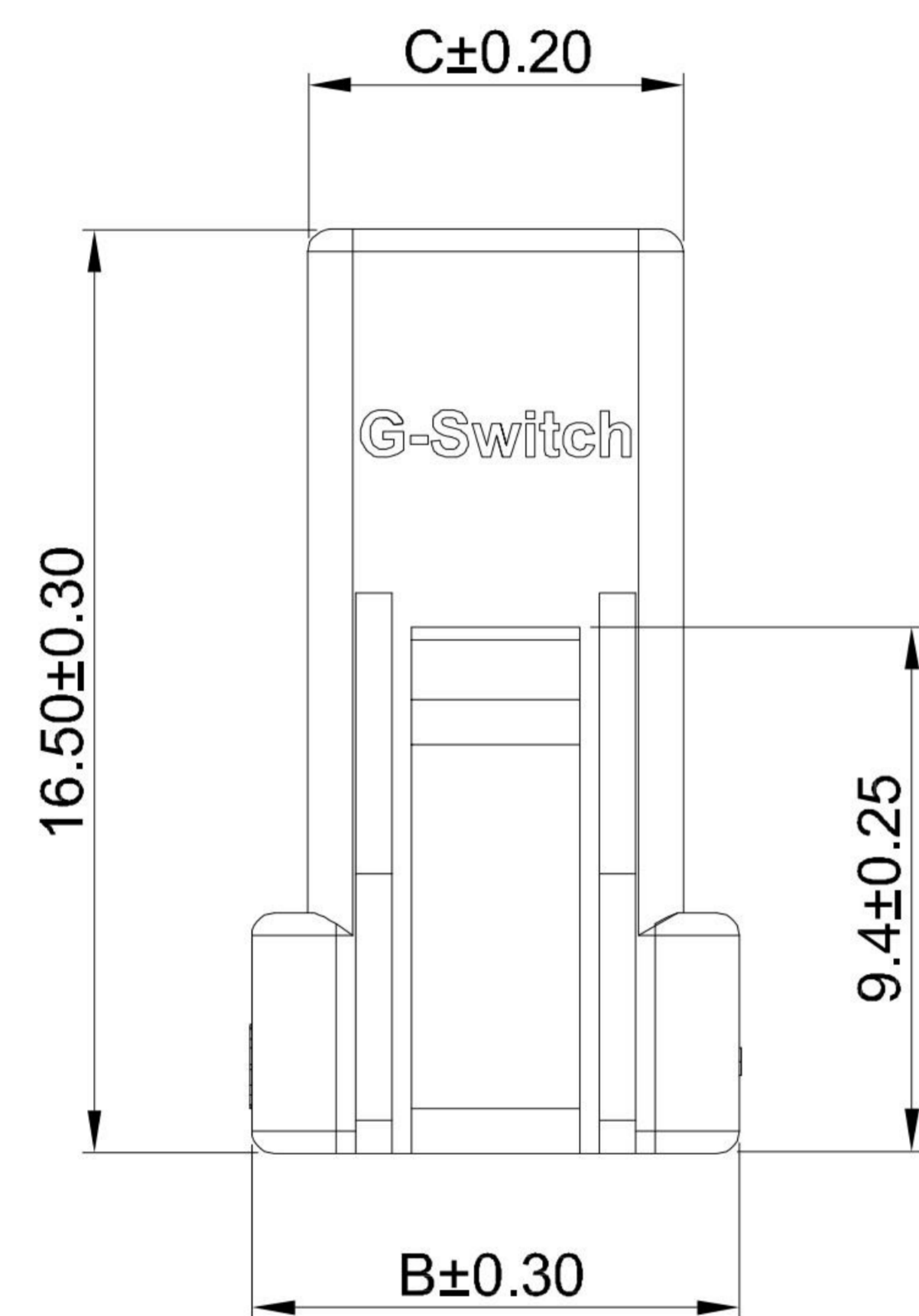
Connector
H-Housing

M-Male

Housing Colour
W-White

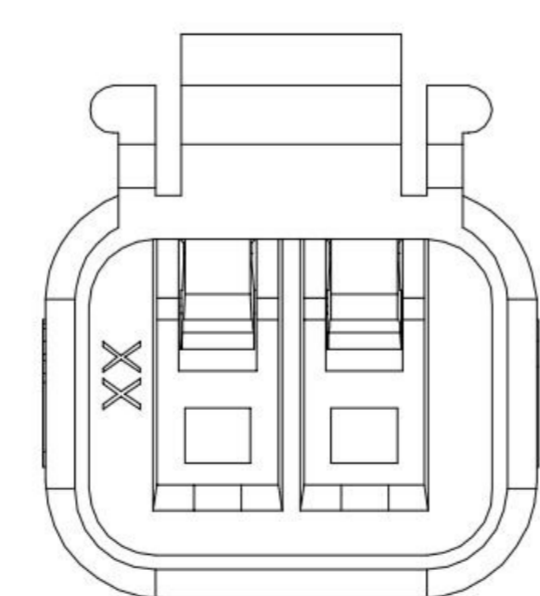
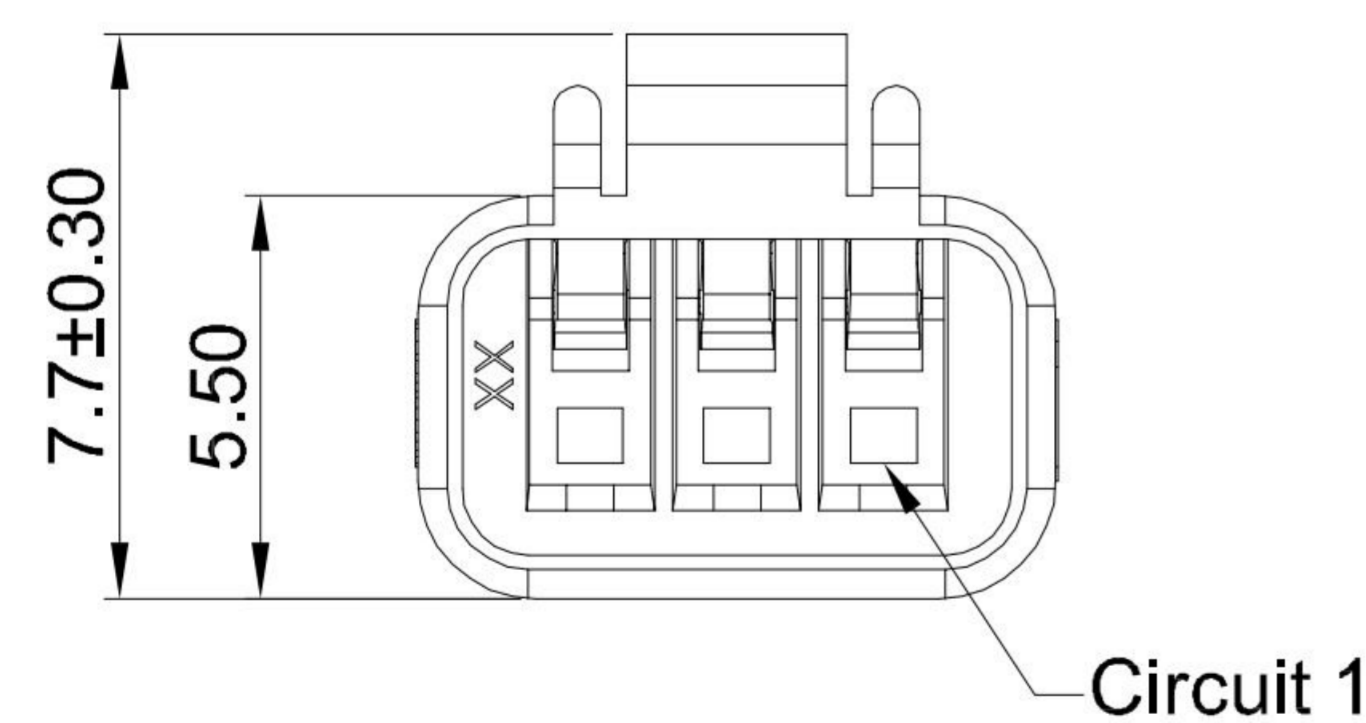
Pin Q' PY
02-04

Row NO
1-Single Row

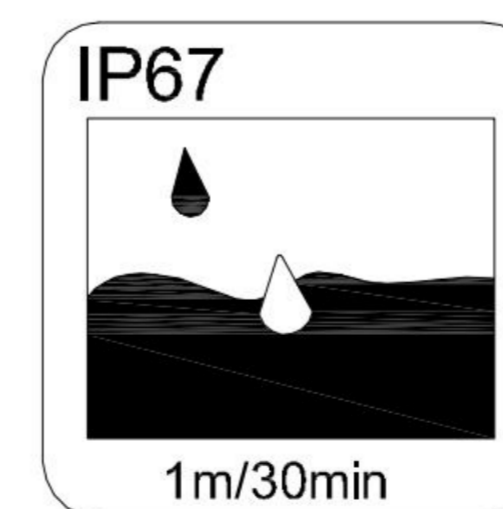


G-Switch Specification:

- 1.Current rated: 3.0A AC/DC
- 2.Voltage rating: 100V AC/DC
- 3.Withstanding voltage:1000V AC
- 4.Contact resistance: 10mΩ max.
- 5.Insulation resistance: 1000MΩ min
- 6.Durability cycle: 50Cycles
- 7.Removal force: 1.0kgf/Pin min
- 8.Operating temperature range: -40°C ~ +105°C



2Pin



Ordering Information:

Circuit	Dimensions(mm)			Circuit	Dimensions(mm)		
	A	B	C		A	B	C
02	---	6.70	4.70	04	6.00	10.70	8.70
03	4.00	8.70	6.70	---	---	---	---

SCALE: 1:1 UNIT: mm

SIZE: A4

Title: Housing 2.00mm Pitch JWPF Single Row Male

Unless otherwise General Tolerance:

X	±0.40
X.x	±0.30
X.xx	±0.20
X°	±5°
X.x°	±3°

Molde Code: GT-C2001HM-1XXX01

DRAWN	CHECKED	APPROVED	DATE
Hu	Hu	Chen	2021.10.20



NO.	PART NAME	MATERIAL	REMARK
1	HOUSING	PBT,94V-0	WHITE



REV: A0 SHEET: 1/1

A

B

C

D

E