

1

2

3

4

5

A

A

B

B

C

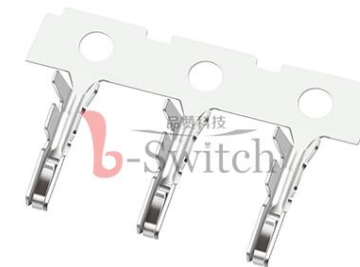
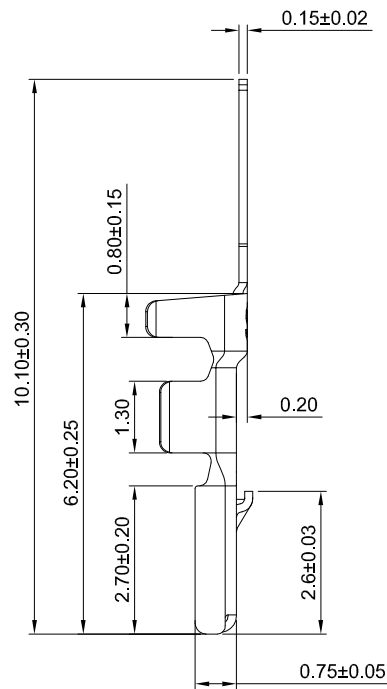
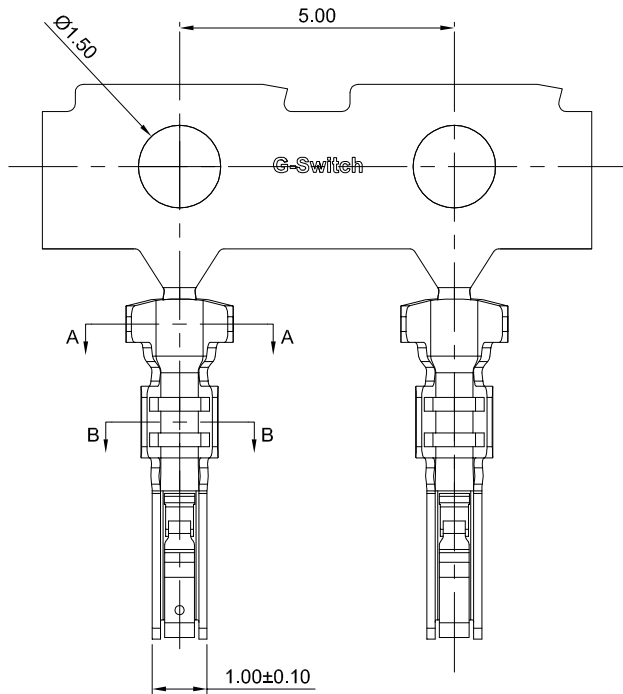
C

D

D

E

E



GT-A1504 T F -X XX 1

G-Switch

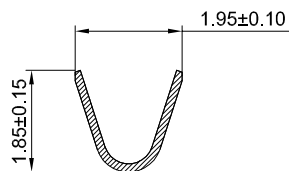
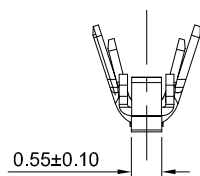
Series No

Connector
T-Terminal

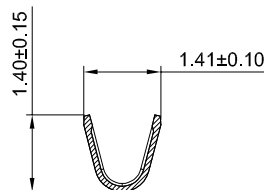
Terminal Plating
BT-Bright Tin
11-All G/F

Metal
P-Phosphor bronze

F-Female



SECTION:A-A



SECTION:B-B

G-Switch Specification:

- 1.Current rated: 2A AC/DC
- 2.Voltage rating: 100V AC/DC
- 3.Withstanding voltage:500V AC
- 4.Contact resistance: 20mΩ max.
- 5.Insulation resistance: 500MΩ min
- 6.Durability cycle: 30Cycles
- 7.Removal force: 1.0kgf/Pin min
- 8.Operating temperature range: -25°C ~ +85°C

GT-A1504TF-P111	Phosphor bronze	All G/F	AWG#24~28	1.20mm(Max)	10000
GT-A1504TF-PBT1	Phosphor bronze	Bright Tin	AWG#24~28	1.20mm(Max)	10000
Part NO	Material	Plating	Wire Size	Insulation O.D	Reel/PCS



SCALE: 1:1 UNIT: mm
SIZE: A4

Unless otherwise
General Tolerance:
X ±0.40
X.x ±0.30
X.xx ±0.20
X* ±5°
X.x° ±3°

Title: Terminal 1.50mm Pitch ZE Crimp Style

Molde Code: GT-A1504TF-XXX1

DRAWN	CHECKED	APPROVED	DATE
Hu	Chen	Chen	2021.10.21



REV: A0 SHEET: 1/1

1

2

3

4

5