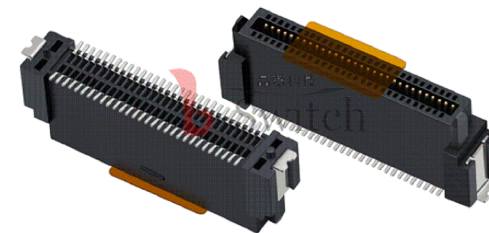


PCB REFERENCE DIAGRAM
TOLERANCE: ±0.05

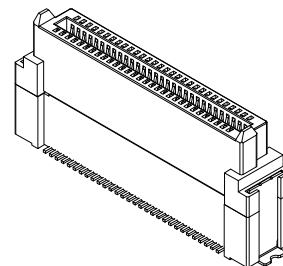
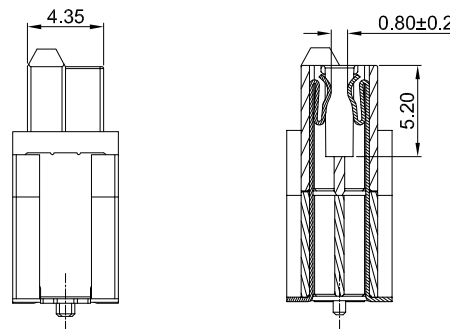
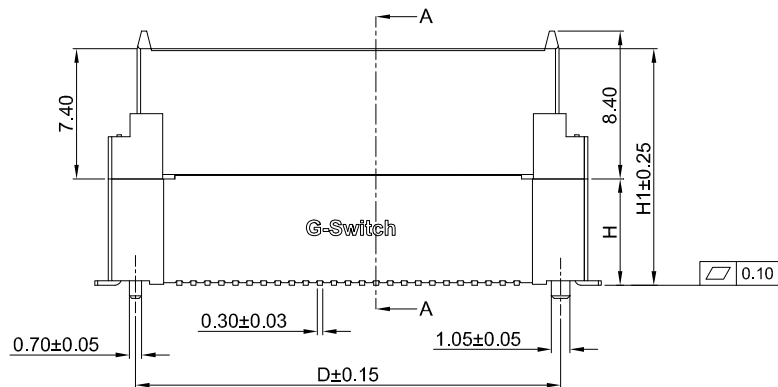


GT-B0808 F S V XX -XX X XX 01

- G-Switch**
- Series No**
- F-Female**
- Termpoint**
S-SMT
- Angle**
V-180°
- Terminal Plating**
01-Au G/F
- Housing Colour**
B-Black
- Pin Q' PY**
20-160
- Height (H1)**
80-7.4mm
11-10.4mm
12-11.4mm
13-12.4mm
14-13.4mm

G-Switch Specification:

1. Current rated: 0.5A AC/DC
2. Voltage rating: 100V AC/DC
3. Withstanding voltage: 200V AC for 1 min
4. Contact resistance: 30mΩ max.
5. Insulation resistance: 500MΩ min
6. Durability cycle: 50 Cycles
7. Removal force: 0.015kgf/Pin min
8. Operating temperature range: -40°C ~ +85°C



Ordering Information:

Circuit	Dimension(mm)					PLUG	Mated Height					H1	H
	A	B	C	D	E		Socket H1						
							13.40	12.40	11.40	10.40	7.40		
20	15.30	8.80	7.20	12.20	12.80	8.00	13.40	12.40	11.40	10.40	7.40	---	---
30	19.30	12.80	11.20	16.20	16.80	11.00	16.00	15.00	14.00	13.00	10.00	7.40	---
40	23.30	16.80	15.20	20.20	20.80	12.00	19.00	18.00	17.00	16.00	13.00	10.40	3.00
50	27.30	20.80	19.20	24.20	24.80	12.00	20.00	19.00	18.00	17.00	14.00	11.40	4.00
60	31.30	24.80	23.20	28.20	28.80	13.00	21.00	20.00	19.00	18.00	15.00	12.40	5.00
80	39.30	32.80	31.20	36.20	36.80	14.00	22.00	21.00	20.00	19.00	16.00	13.40	6.00
100	47.30	40.80	39.20	44.20	44.80	---	---	---	---	---	---	---	---
120	55.30	48.80	47.20	52.20	52.80	---	---	---	---	---	---	---	---
160	71.30	64.80	63.20	68.20	68.80	---	---	---	---	---	---	---	---

3	SOLDER TABS	BRASS	MATTE TIN
2	CONTACT	PHOSPHOR BRONZE	Gold Flash on Contact Area
1	HOUSING	LCP,94V-0	BLACK
NO.	PART NAME	MATERIAL	REMARK

SCALE: 1:1 UNIT: mm
SIZE: A4

Unless otherwise General Tolerance:
X ±0.40
X.x ±0.30
X.xx ±0.20
X° ±5°
X.x° ±3°

Title: BTB 0.80mm Pitch 180° Dual Rows SMT Type Female Connector

Molde Code: GT-B0808FSVXX-XXXXX01

DRAWN	CHECKED	APPROVED	DATE
Xia	Chen	Chen	2022.12.28



REV: A0 SHEET: 1/1

